



STABIL 7-Section Treatment Table

Order Code: 1007U-70BB



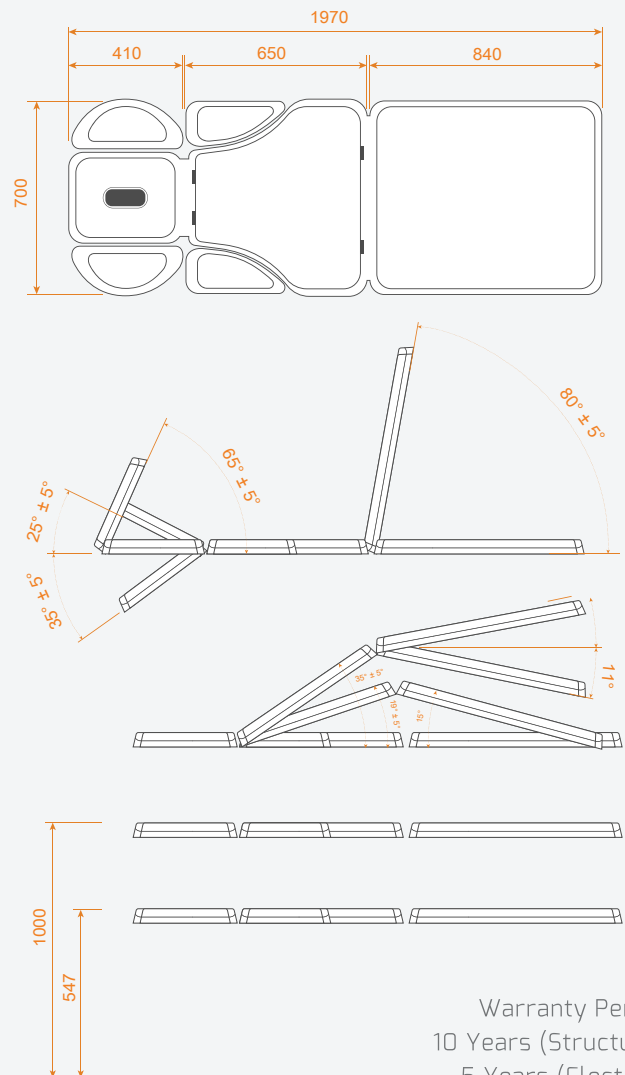
FEATURES

- 7 section support surface with electrical height adjustment for unrivalled versatility
- Unique massage chair head design (can also be used as a massage chair)
- Lift up center section for Postural drainage
- Drop down arm and shoulder rests allowing the therapist to get closer to client and reduce back strain
- Durable, washable and flame retardant upholstery and curved cushioning
- Dual Gas strut head and foot section
- Classic dual lift construction offers excellent stability
- Quiet actuator and gas springs powerfully lift patients
- Electric Hi-Lo
- Retractable heavy duty castors
- Levelling Feet
- Low Height: 55cm
- Weight Capacity: 255kgs
- German Motors
- Angled legs ensure ultimate stability during manipulations
- 'True' dual backrest design allows the legrest to be raised into a backrest position
- Attractive and professional finish enhances your treatment area
- Side brackets for attaching exercise products and stabilising belts
- Various upholstery colours available

UPHOLSTERY COLOURS

	BLACK		GREY
	DARK GREY		GREEN
	CARAMEL		PINK
	NAVY		BURGANDY

TABLE ARTICULATIONS



Warranty Period:
 10 Years (Structural)
 5 Years (Electrics)